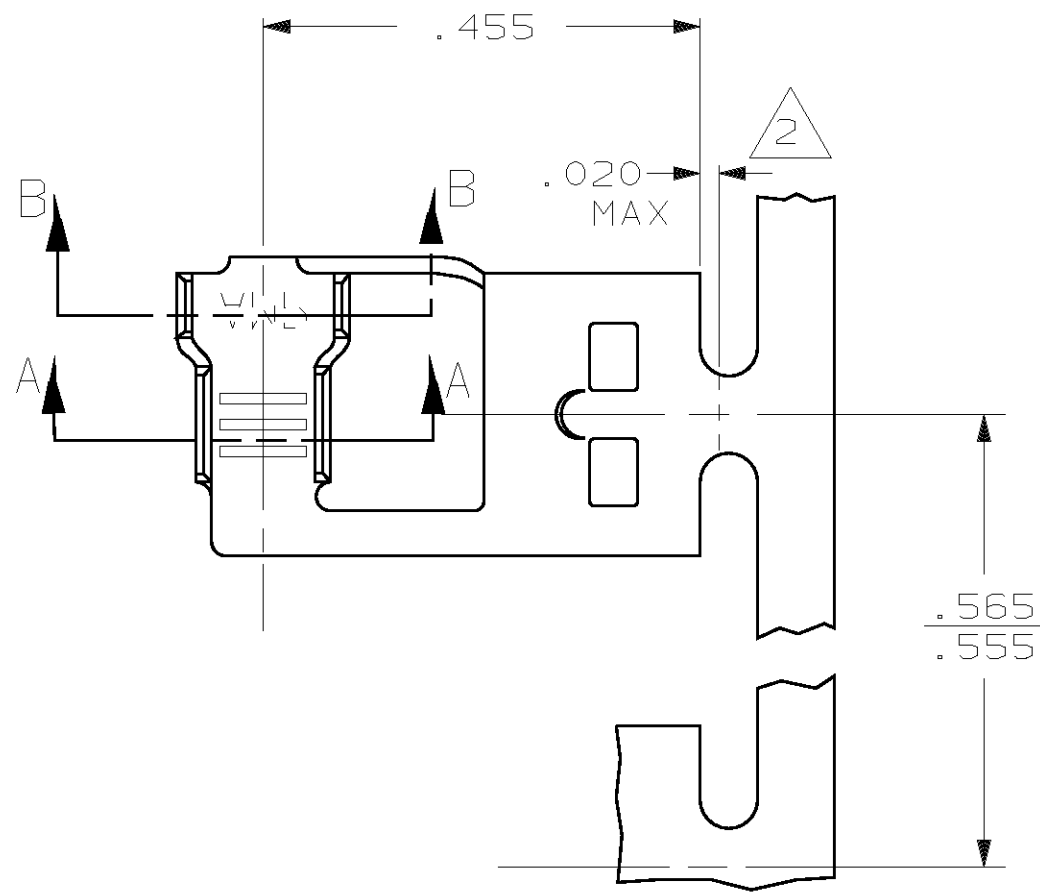


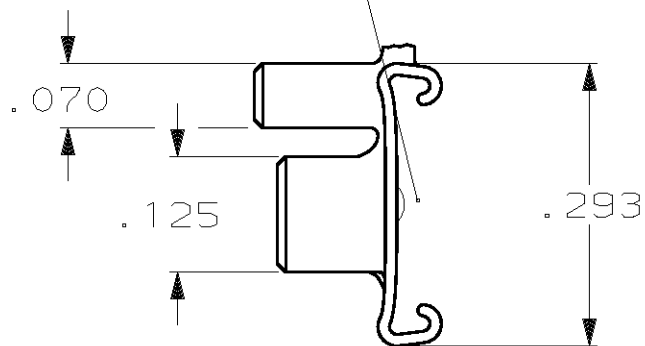
THIS DRAWING IS UNPUBLISHED. RELEASED FOR PUBLICATION
 © COPYRIGHT 19 BY AMP INCORPORATED, HARRISBURG, PA. ALL INTERNATIONAL RIGHTS RESERVED. AMP PRODUCTS MAY BE COVERED BY U.S. AND FOREIGN PATENTS AND/OR PATENTS PENDING.

LOC AF DIST 50

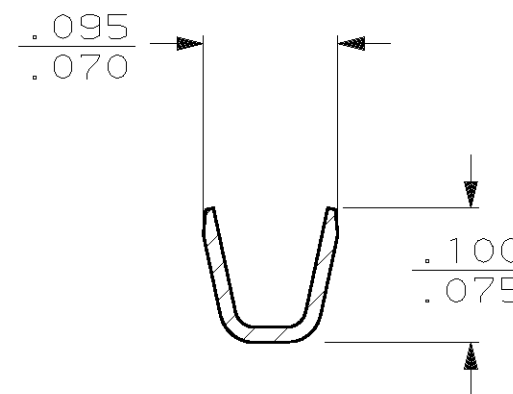
P		F		REVISIONS			
ZONE	LTR	DESCRIPTION	DATE	APPROVED			
	G	OBS -1 PER OL10-0265-97	6/18/97	JR/PD			



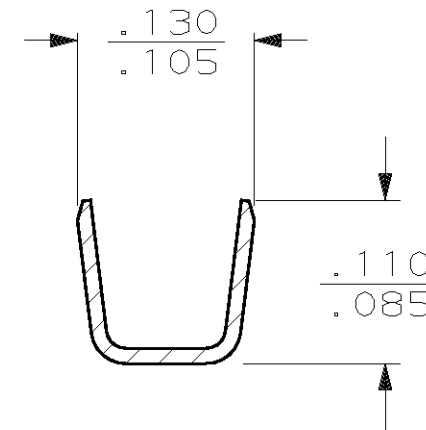
FITS .250 SERIES FASTON TAB



1 - CONTINUOUS STRIP ON REELS.
 2 - FOR LOOSE PIECE ONLY



SECTION A-A



SECTION B-B

OBSOLETE	60811-2	.048-.078	24-20	.032	TIN	.016 4M BRASS	60736-2
	60811-1	.048-.078	24-20	.032	---	.016 4M BRASS	60736-1
	LOOSE PIECE	INSUL RANGE	WIRE SIZE	TAB THK ±.001	FINISH	MATERIAL	PART NO

F	.090	.188	F	.062	.054	20
					.051	22
					.048	24
TYPE	WIDTH	STRIP LENGTH ±.015	TYPE	WIDTH	±.002 HEIGHT	WIRE
INSUL BARREL CRIMP			WIRE BARREL CRIMP			

UNLESS OTHERWISE SPECIFIED DIMENSIONS ARE IN INCHES TOLERANCES ON:		DR	10/4/85
2 PL DEC ± _____		CHK	10/4/85
3 PL DEC ± .015		APPD	MS FEHER
ANGLES ± _____		APPD	10/4/85
MATERIAL _____		APPD	C MEYERS
FINISH _____		APPD	10/4/85
		APPD	R KUZO
		PRODUCT SPEC	_____
		APPLICATION SPEC	114-2079
		WEIGHT	_____

AMP INCORPORATED Harrisburg, Pa. 17105		
NAME .250 SERIES FLAG FASTON RECEPTACLE		
SIZE B	FSCM NO 00779	DRAWING NO 60736
SCALE NTS	SHEET 1 OF 1	